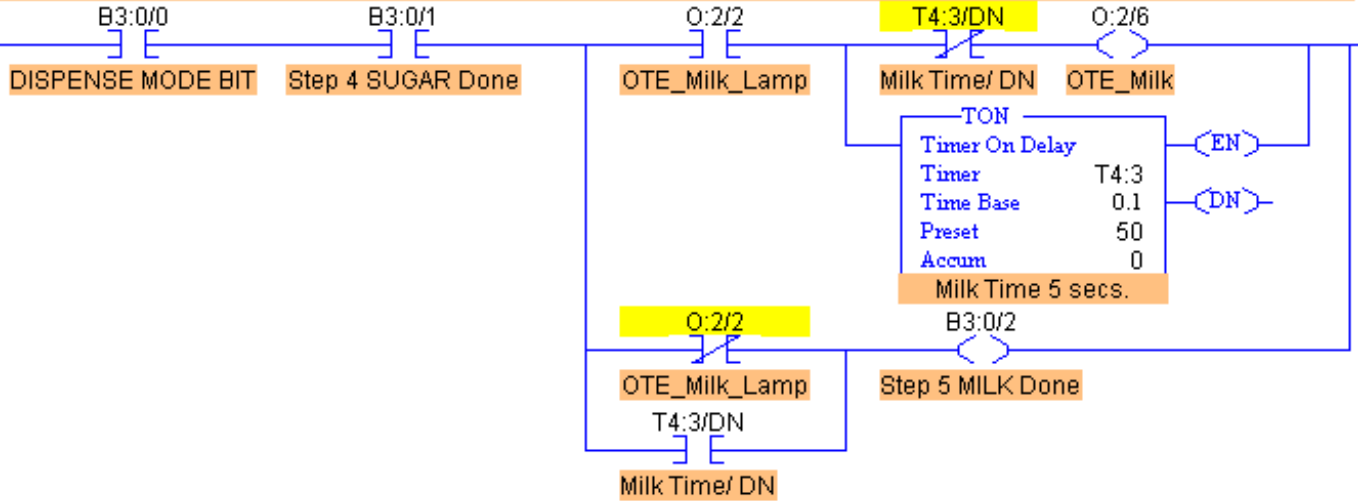


Sugar Time/ DN

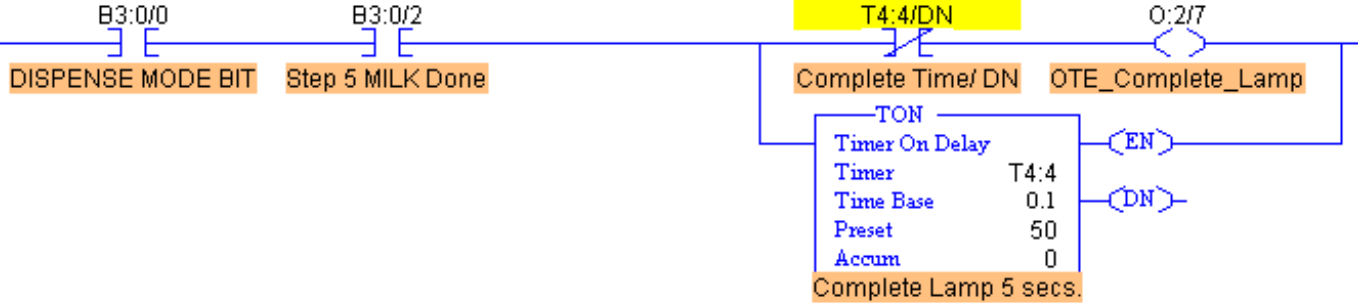
006

Step 5: If Milk Required, Feed Milk For 5 sec.



007

Step 6: Light Complete Lamp For 5 sec



008

END